



# LED Flashing Combination Audible/Visual Signal

## Model AV1-LED

### ECONOMICAL LED AUDIBLE/VISUAL SIGNAL

- Available in 24VDC and 120VAC
- 60,000 hour LED light source
- Surface mount, integrated 1/2-inch NPT pipe mount, and 4-inch electrical box mount
- Five dome colors
- Twist-off lens for easy access
- Internal buzzer produces 85dBA at 10' (95dBA @ 1m)
- PLC compatible
- Type 3R enclosure
- UL and cUL Listed

Model AV1-LED is a combination audible/visual signal. The AV1-LED features a 100% polycarbonate housing that is rated for Type 3R rain-tight applications. Available dome colors include Amber, Blue, Clear, Green and Red.

The AV1-LED design provides three mounting configurations. The black base will accommodate mounting to a 1/2-inch NPT pipe, a 4-inch octagonal electrical box or any flat surface. The surface mount gasket serves as a template for preparing a flat surface with appropriate mounting holes.

All AV1-LED units feature a unique twist-and-lock dome design to allow for tool-free access to the LED. The fresnel lensing provides superior visibility in all directions.

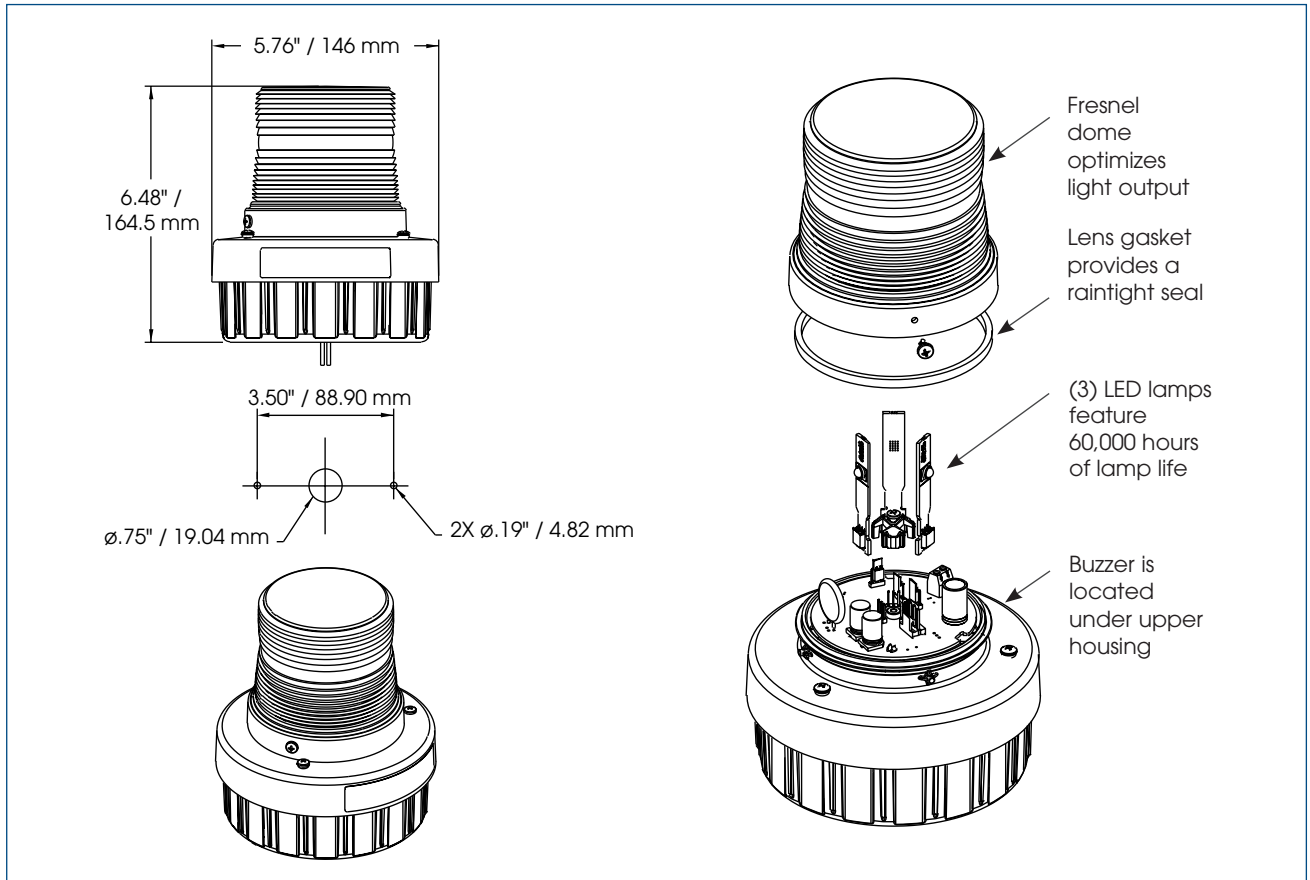
The integrated buzzer provides 85dBA output at 10 feet (95dBA @ 1 meter). The unit is capable of independent flashing light and sounder operation. The LED can be field adjusted to two flash patterns, 60 FPM or 75 FPM, via a jumper on the PC board.

The AV1-LED comes in two voltage variations: 24VDC and 120VAC. Each unit is factory assembled with two color-coded leads. If desired, the user can remove the leads and connect directly to the terminal block located in the base of the unit. The AV1-LED is UL and cUL Listed.

| Model         | Voltage | Operating Current | Flash Rate/Minute | Decibels @ |    | Mount        |
|---------------|---------|-------------------|-------------------|------------|----|--------------|
|               |         |                   |                   | 10'        | 1m |              |
| AV1-LED-024 * | 24VDC   | 0.27 amps         | 60/75             | 85         | 95 | Pipe/Surface |
| AV1-LED-120 * | 120VAC  | 0.03 amps         | 60/75             | 85         | 85 | Pipe/Surface |

\* Indicates color: (A) Amber, (B) Blue, (C) Clear, (G) Green or (R) Red

## AUDIBLE/VISUAL SIGNALING DEVICE (AV1-LED)



### SPECIFICATIONS

|                        |                |               |
|------------------------|----------------|---------------|
| Lamp Life:             | 60,000 Hours   | 60,000 Hours  |
| Light Source:          | LED            | LED           |
| Operating Temperature: | -31°F to 150°F | -35°C to 66°C |
| Net Weight:            | 1.25 lbs.      | 0.57 kg       |
| Shipping Weight:       | 1.75 lbs.      | 0.8 kg        |
| Height (from bottom):  | 6.48"          | 164.5 mm      |
| Diameter:              | 5.76"          | 146 mm        |

### HOW TO ORDER

- Specify model, voltage and color
- Optional Accessories:  
 Corner Bracket (LCMB2)\*  
 Wall Bracket (LWMB2)\*  
 Hazardous Location Mounting Bracket (LHWB)

\* Type 3R applications.

### REPLACEMENT PARTS

| <u>Description</u>           | <u>Part Number</u> | <u>Description</u> | <u>Part Number</u> |
|------------------------------|--------------------|--------------------|--------------------|
| Dome Kit, Amber <sup>1</sup> | K8550292A-02       | Amber LED          | K2005633A-A        |
| Dome Kit, Blue <sup>1</sup>  | K8550292A-01       | Blue LED           | K2005633A-B        |
| Dome Kit, Clear <sup>1</sup> | K8550292A          | Green LED          | K2005633A-G        |
| Dome Kit, Green <sup>1</sup> | K8550292A-04       | Red LED            | K2005633A-R        |
| Dome Kit, Red <sup>1</sup>   | K8550292A-03       | White LED          | K2005633A-W        |
| Buzzer, 24VDC                | K8591002A-03       |                    |                    |
| Buzzer, 120VAC               | K8591002A          |                    |                    |